

General information

Cargo Capability

Cargo Max. Capacity

56338 kgs (depends on operating weights)

Cargo volume available

- 438 m³
- Main deck: 336 m³
- Lower deck: 102 m³

Bulk Hold Information

2,925 kg (12,2 m³)

Aircraft Doors

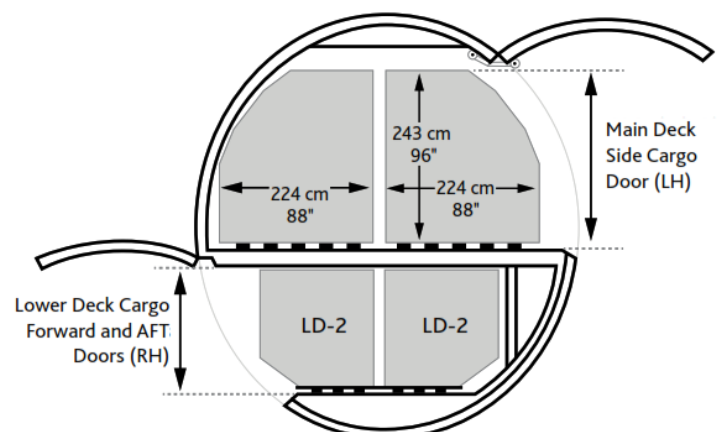
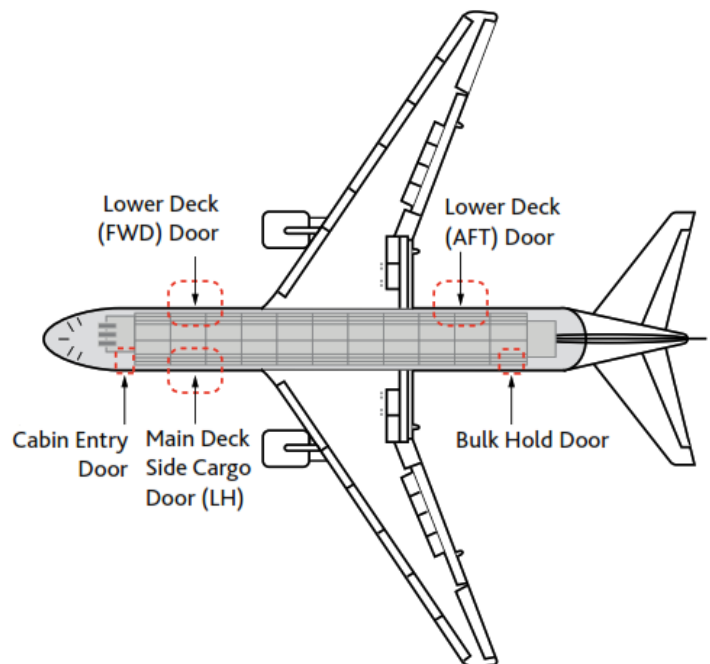
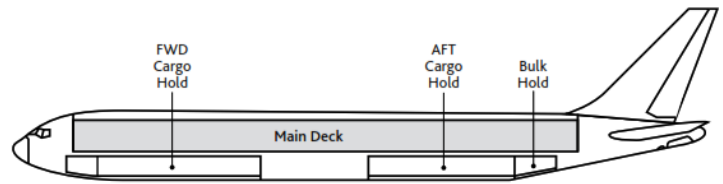
The expanded doors allow us to effectively load full-sized pallets and containers. The aircraft is equipped with one cabin door, one main deck door and three lower deck doors.

Commodities

Each compartment is designed for appropriate temperature control to handle specialized and perishable commodities or any of the other shipping solutions.

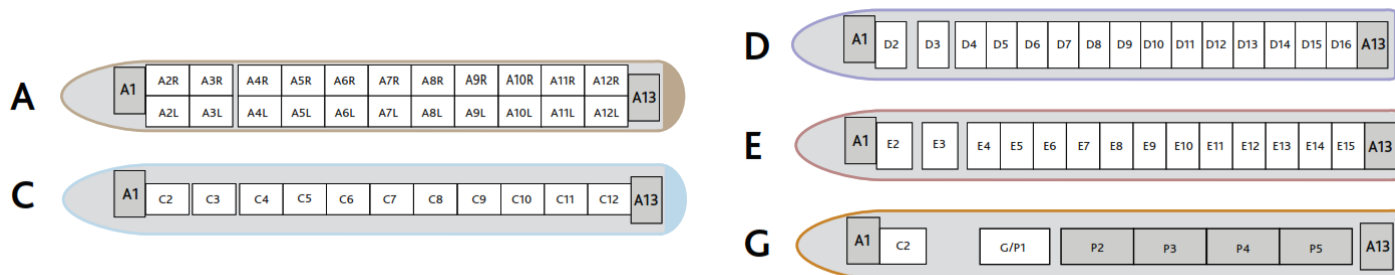
Compatible Units

LD2, LD3, LD7, LD7-88, LD8, LD9



Main Deck Cargo Loading Configurations

The expanded main deck and structural modifications of our newly modified freighters will offer five different main deck configurations, increasing the overall cargo capacity.



CONFIGURATION A		CONFIGURATION C		CONFIGURATION D		CONFIGURATION E		CONFIGURATION G	
Position	Max ULD weight (kgs)	Position	Max ULD weight (kgs)	Position	Max ULD weight (kgs)	Position	Max ULD weight (kgs)	Position	Max ULD weight (kgs)
A1	2268	A1	2268	A1	2268	A1	2268	A1	2268
A2L	3429	C2	4853	D2	3431	E2	3740	C2	4853
A2R	3429	C3	4853	D3	3431	E3	3740	Engine Pallet	6804
A3L	3429	C4	4853	D4	3431	E4	3740	16 ft Pallet	6804
A3R	3429	C5	4853	D5	3431	E5	3740	16 ft Pallet	6804
A4L	3429	C6	6804	D6	3431	E6	3740	16 ft Pallet	6804
A4R	3429	C7	6804	D7	4844	E7	5262	16 ft Pallet	6804
A5L	3429	C8	4853	D8	4844	E8	5262	A13	2722
A5R	3429	C9	4853	D9	4844	E9	3740		
A6L	4627	C10	4853	D10	3431	E10	3740		
A6R	4627	C11	4853	D11	3431	E11	3740		
A7L	4627	C12	4853	D12	3431	E12	3740		
A7R	4627	A13	2722	D13	3431	E13	3740		
A8L	3429			D14	3431	E14	3740		
A8R	3429			D15	3431	E15	3740		
A9L	3429			D16	3431	A13	2722		
A9R	3429			A13	2722				
A10L	3429								
A10R	3429								
A11L	3429								
A11R	3429								
A12L	3429								
A12R	3429								
A13	2722								

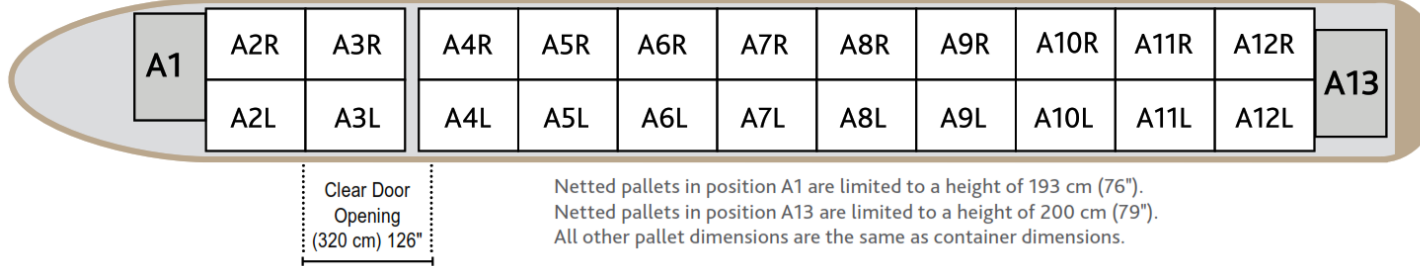
CONFIGURATION A

317 cm x 223 cm (125" x 88") side by side x 2
223 cm x 317 cm (88" x 125") transverse x 2

POSITION A1

POSITIONS A2 - A12

POSITION A13



Position	Max ULD weight (kgs)	
A1	2268	
A2L	3429	4853
A2R	3429	COMB. LIMIT
A3L	3429	4853
A3R	3429	COMB. LIMIT
A4L	3429	4853
A4R	3429	COMB. LIMIT

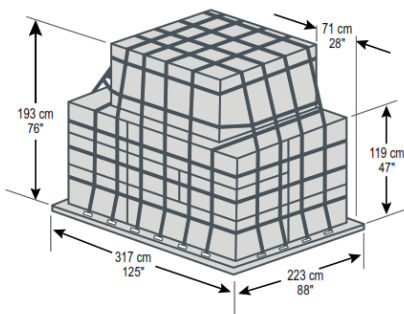
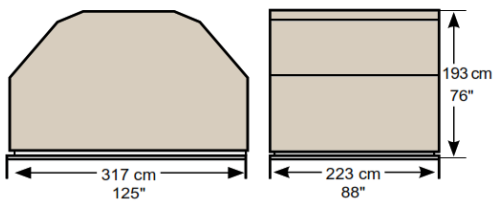
Position	Max ULD weight (kgs)	
A5L	3429	4853
A5R	3429	COMB. LIMIT
A6L	4627	6804
A6R	4627	COMB. LIMIT
A7L	4627	6804
A7R	4627	COMB. LIMIT

Position	Max ULD weight (kgs)	
A8L	3429	4853
A8R	3429	COMB. LIMIT
A9L	3429	4853
A9R	3429	COMB. LIMIT
A10L	3429	4853
A10R	3429	COMB. LIMIT

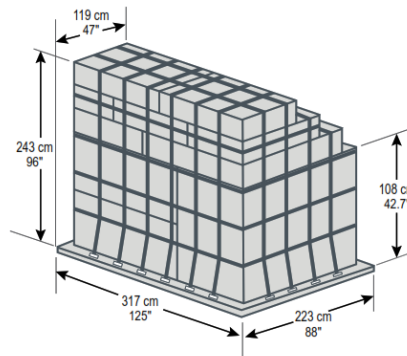
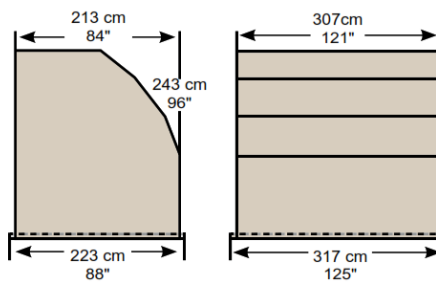
Position	Max ULD weight (kgs)	
A11L	3429	4853
A11R	3429	COMB. LIMIT
A12L	3429	4853
A12R	3429	COMB. LIMIT
A13	2722	

Dimensions for Configuration A

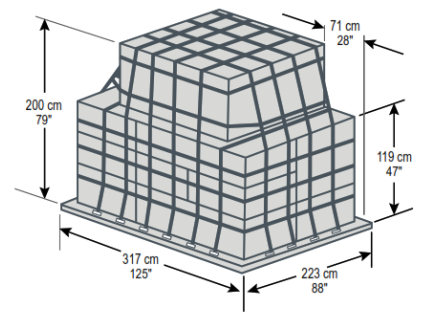
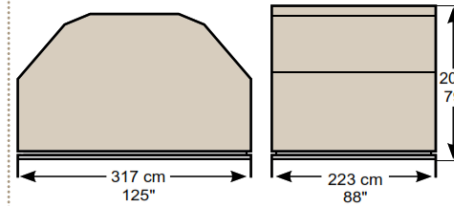
ULD POSITION A1



ULD POSITION A2 R+L - A12 R+L



ULD POSITION A13



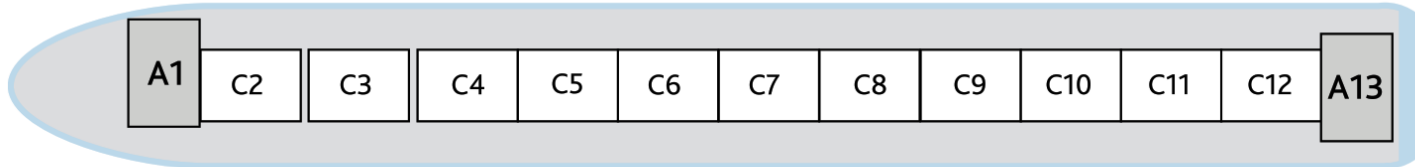
CONFIGURATION C

317 cm x 243 cm (125" x 96") centerline x 11
223 cm x 317 cm (88" x 125") transverse x 2

POSITION A1

POSITIONS C2 - C12

POSITION A13



Clear Door
Opening
(320 cm) 126"

Netted pallets in position A1 are limited to a height of 193 cm (76").
 Netted pallets in position A13 are limited to a height of 200 cm (79").
 All other pallet dimensions are the same as container dimensions.

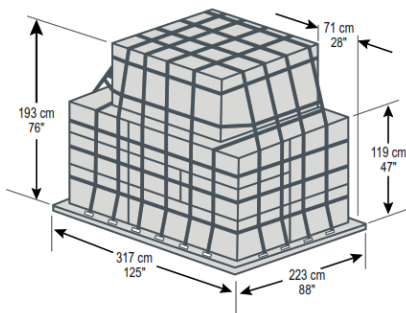
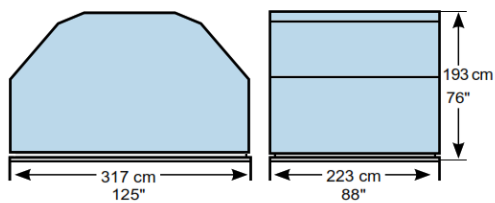
Position	Max ULD weight (kgs)
A1	2268
C2	4853
C3	4853
C4	4853
C5	4853

Position	Max ULD weight (kgs)
C6	6804
C7	6804
C8	4853
C9	4853
C10	4853

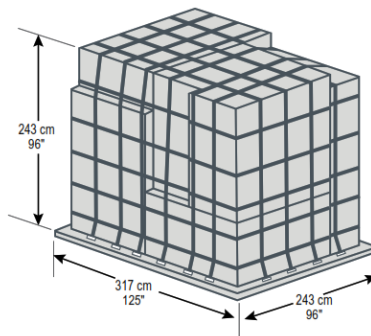
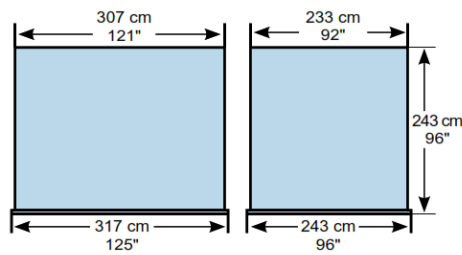
Position	Max ULD weight (kgs)
C11	4853
C12	4853
A13	2722

Dimensions for Configuration C

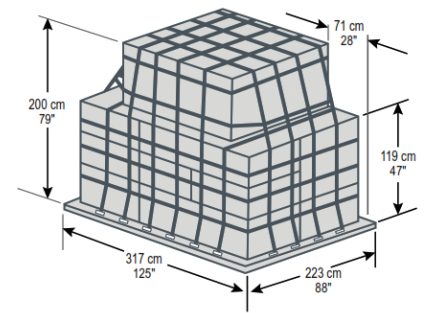
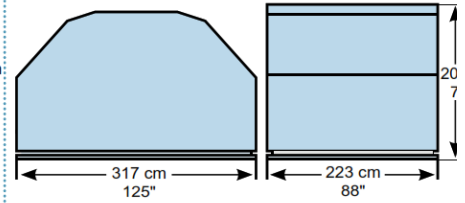
ULD POSITION A1



ULD POSITION C2 - C12



ULD POSITION A13



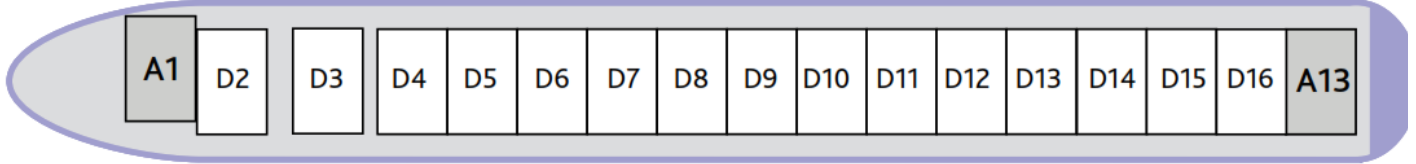
CONFIGURATION D

223 cm x 317 cm (88" x 125") transverse x 17

POSITION A1

POSITIONS D2 - D15

POSITION A13


 Clear Door
Opening
(320 cm) 126"

 Netted pallets in position A1 are limited to a height of 193 cm (76").
 Netted pallets in position A13 are limited to a height of 200 cm (79").
 All other pallet dimensions are the same as container dimensions.

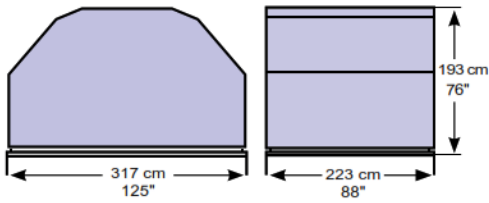
Position	Max ULD weight (kgs)	
A1	2268	
D2	3431	
D3	3431	
D4	3431	6862 COMB. LIMIT
D5	3431	
D6	3431	

Position	Max ULD weight (kgs)	
D7	4844	
D8	4844	8275 COMB. LIMIT
D9	4844	
D10	3431	
D11	3431	6862 COMB. LIMIT
D12	3431	

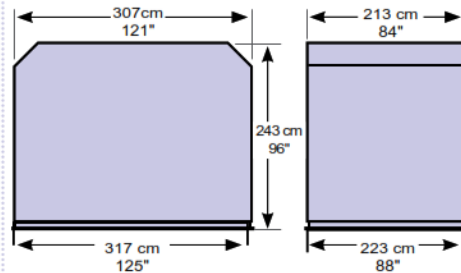
Position	Max ULD weight (kgs)	
D13	3431	
D14	3431	6862 COMB. LIMIT
D15	3431	
D16	3431	
A13	2722	

Dimensions for Configuration D

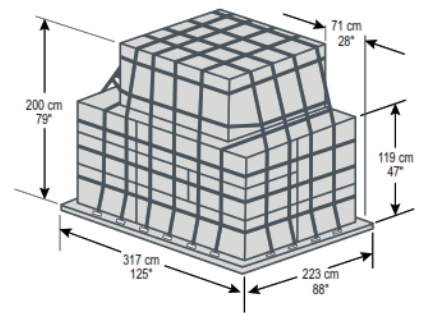
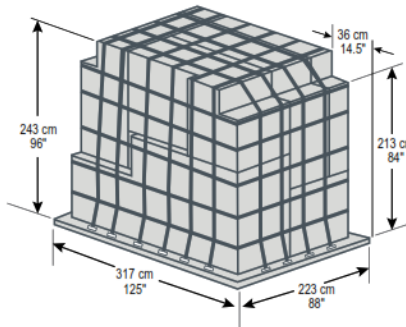
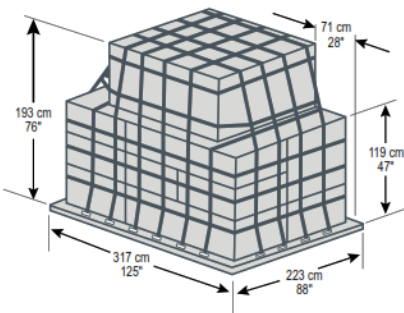
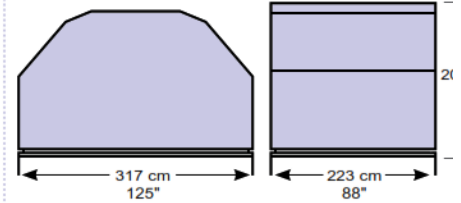
ULD POSITION A1



ULD POSITION D2 - D16

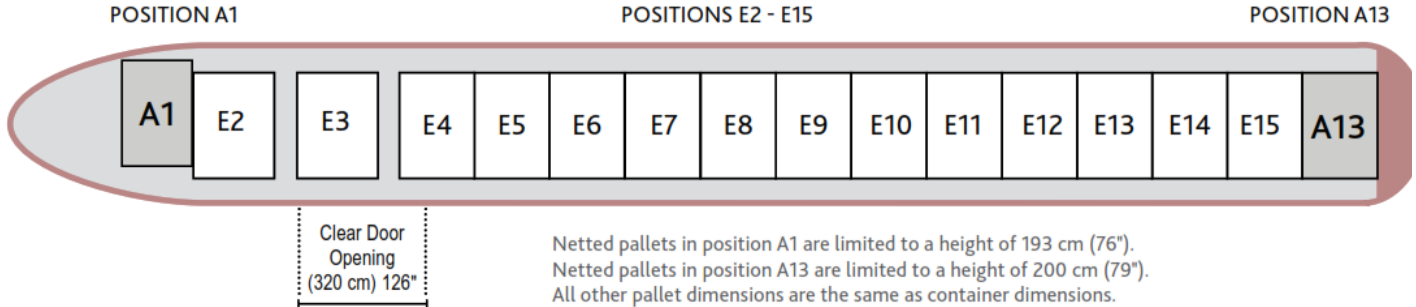


ULD POSITION A13



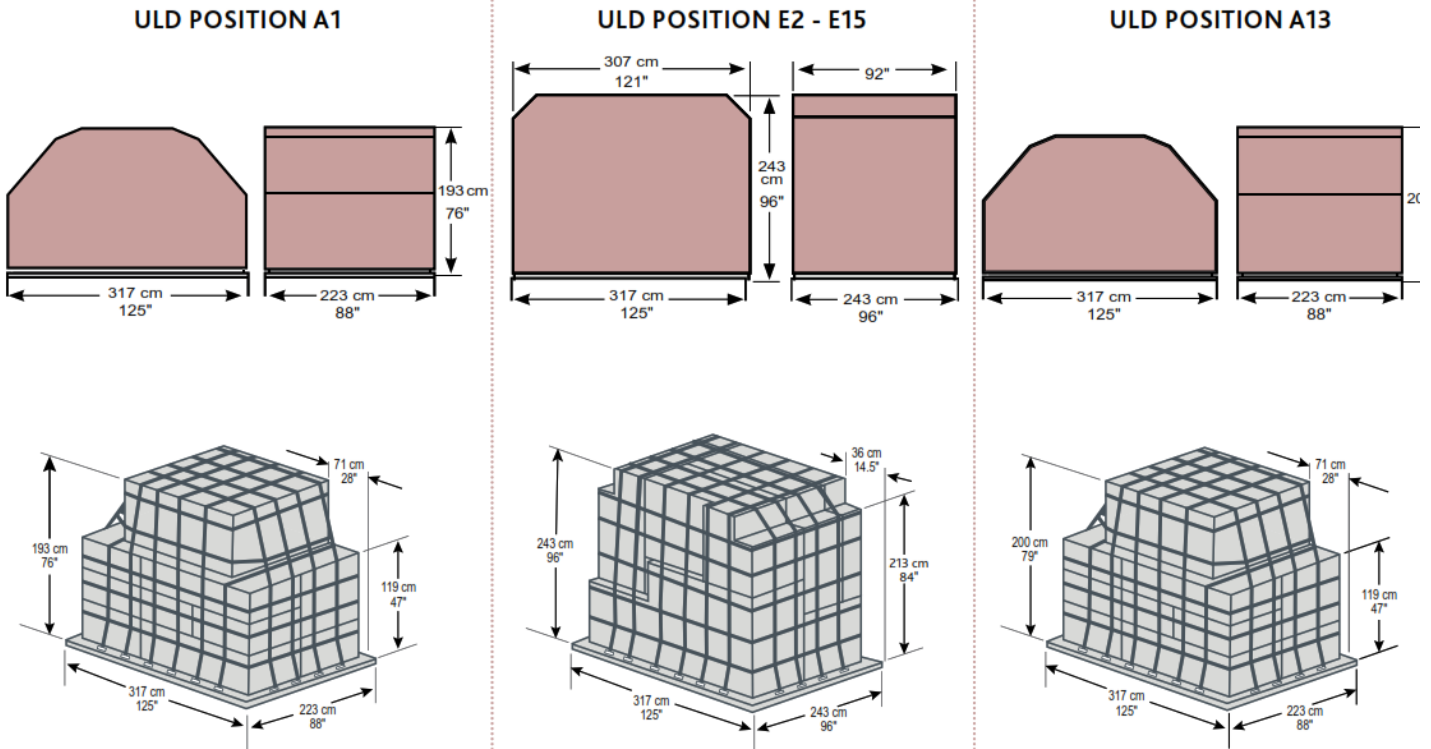
CONFIGURATION E

243 cm x 317 cm (96" x 125") transverse x 14
223 cm x 317 cm (88" x 125") transverse x 2



Position	Max ULD weight (kgs)		Position	Max ULD weight (kgs)		Position	Max ULD weight (kgs)	
A1	2268		E7	5262		E13	3740	7480 COMB. LIMIT
E2	3740		E8	5262	9002 COMB. LIMIT	E14	3740	
E3	3740		E9	3740			E15	3740
E4	3740	7480 COMB. LIMIT	E10	3740		A13	2722	
E5	3740			E11	3740			
E6	3740		E12	3740				

Dimensions for Configuration E

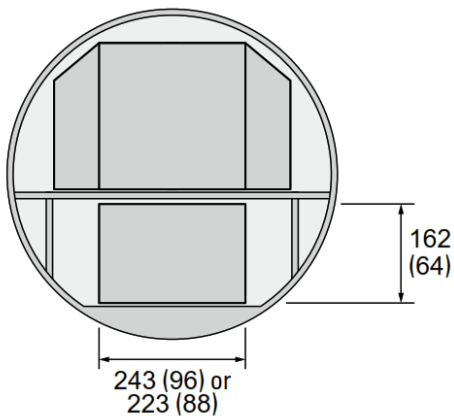
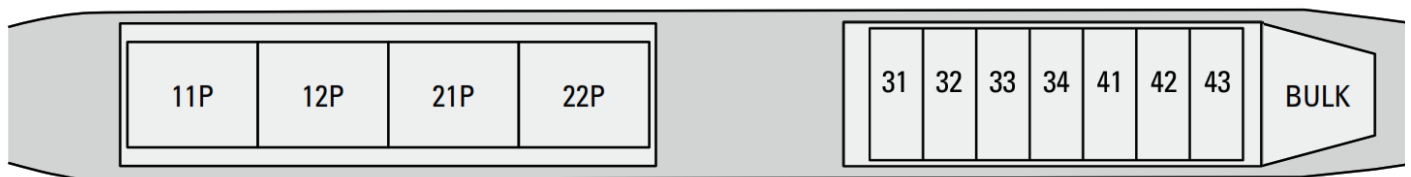


Belly Compartment Loading Configuration

Container



Pallet



Position	Max ULD weight (kgs)		Position	Max ULD weight (kgs)		Position	Max ULD weight (kgs)		Position	Max ULD weight (kgs)	
11	2449	10205 COMB. LIMIT	11P	5102	10205 COMB. LIMIT	31	2449	10042 COMB. LIMIT	BULK	2925	
12	2449		12P	5102		32	2449				
13	2449		21P	5102	33	2449					
14	2449		22P	5102	34	2449					
21	2449	10205 COMB. LIMIT				41	2449	7532 COMB. LIMIT			
22	2449					42	2449				
23	2449					43	2449				
24	2449										